

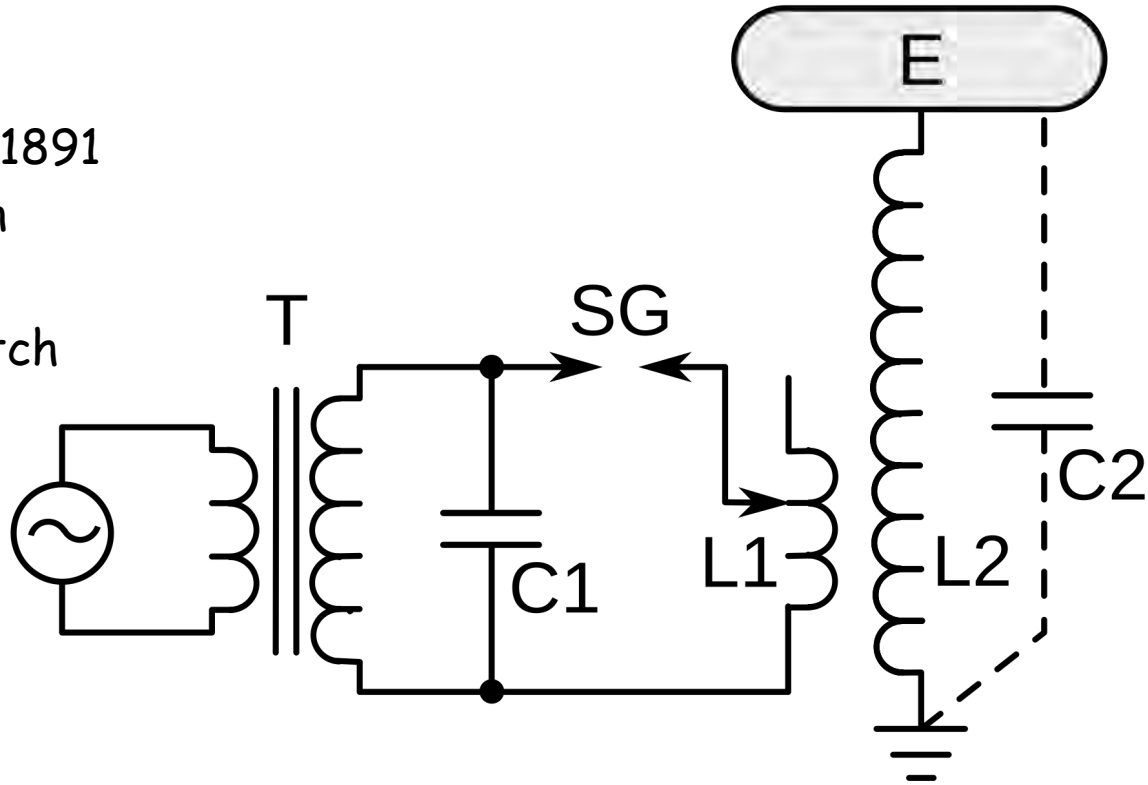
Tesla Coils in the Classroom

CSAAPT Spring 2026 at University of Delaware

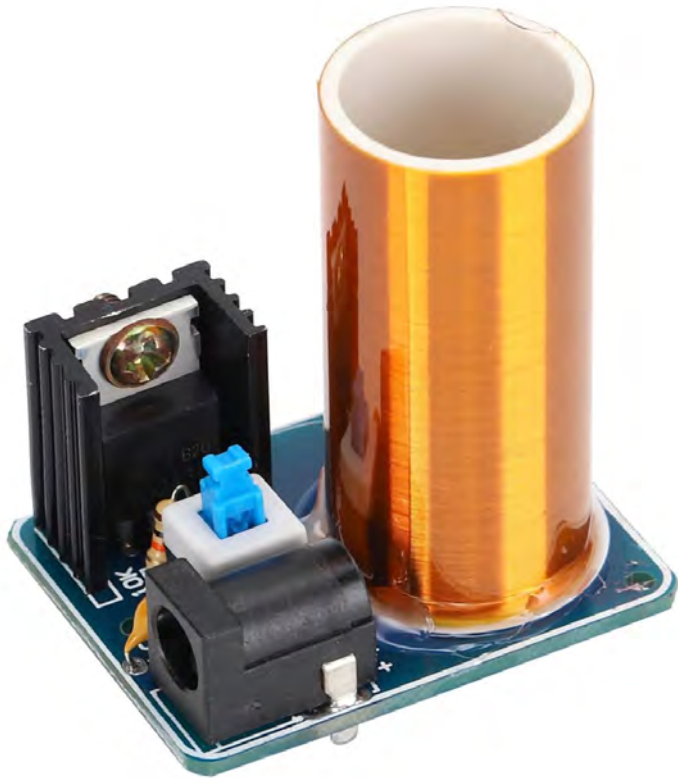
Al Tobias, University of Virginia

Tesla Coil

- invented by Nikola Tesla in 1891
- wireless power transmission
- resonant transformer
- spark gap or transistor switch
- air core
- high voltage
- low current
- high frequency



Mini Solid State Tesla Coil



April 18, 2026

Al Tobias, University of Virginia

HF Generator Leak Detector

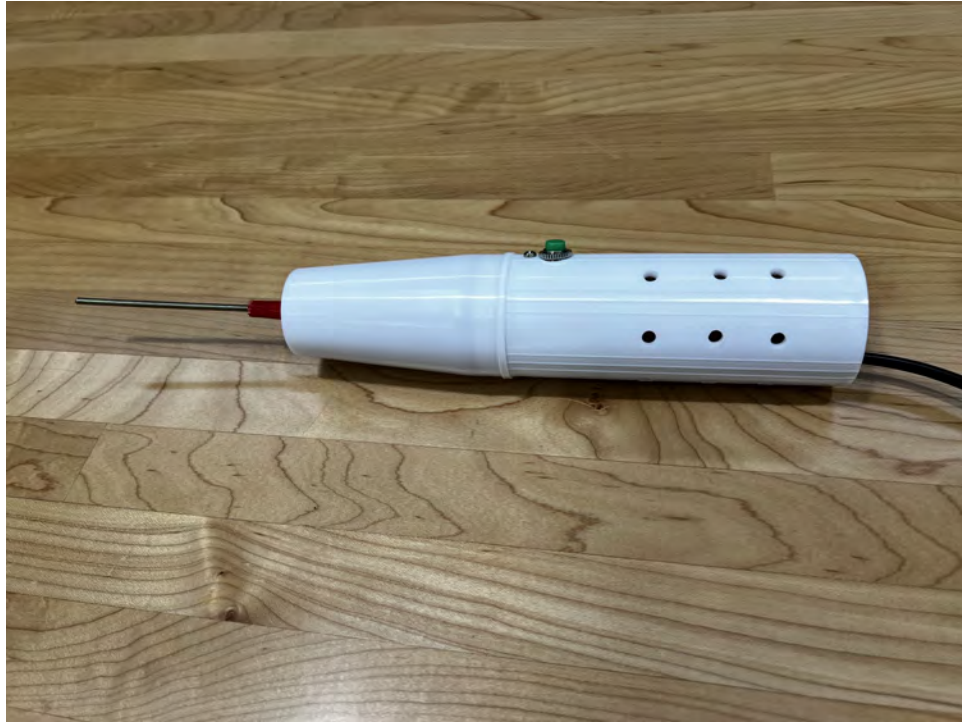


April 18, 2026

Al Tobias, University of Virginia

4

Hand Held Tesla Coil



April 18, 2026

Al Tobias, University of Virginia

Small Audio Tesla Coil



April 18, 2026

Al Tobias, University of Virginia

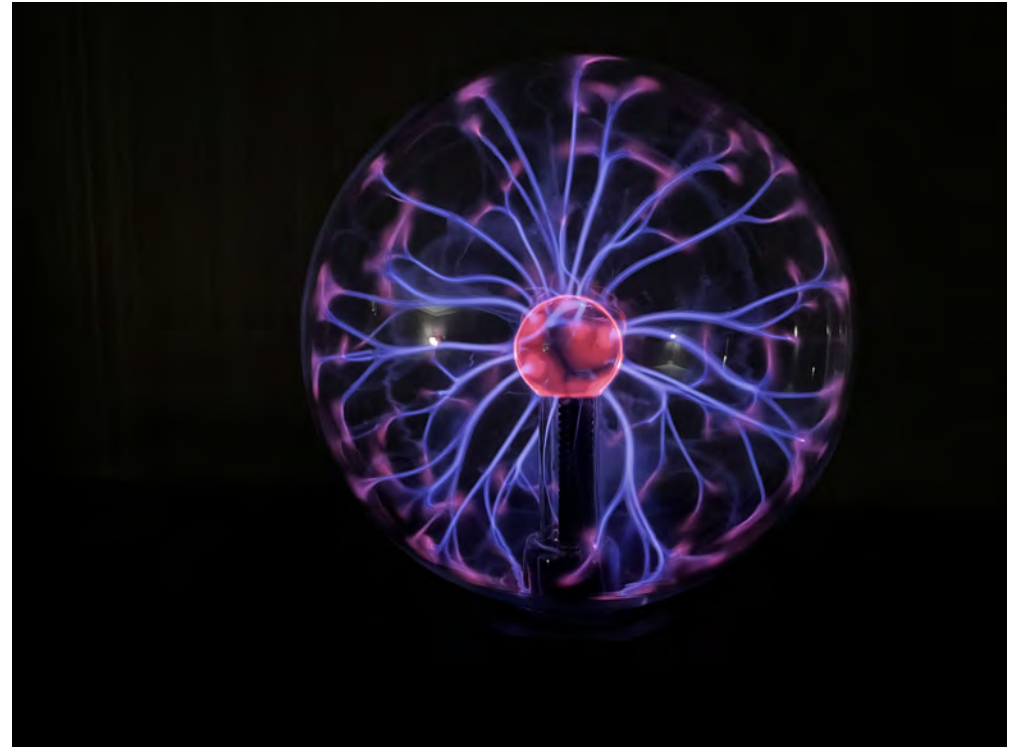
Small Bluetooth Tesla Coil



April 18, 2026

Al Tobias, University of Virginia

Plasma Globe



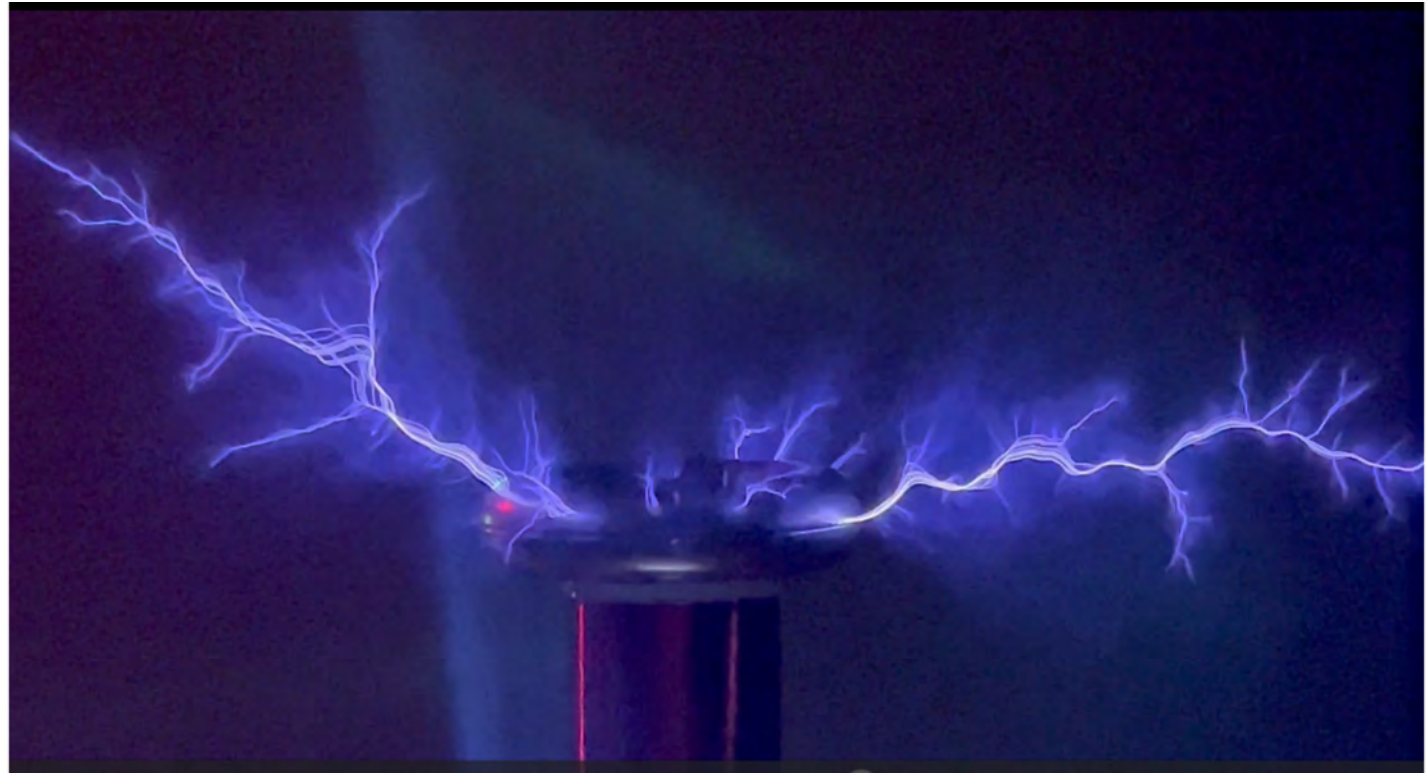
April 18, 2026

Al Tobias, University of Virginia

Medium Spark Gap Tesla Coil

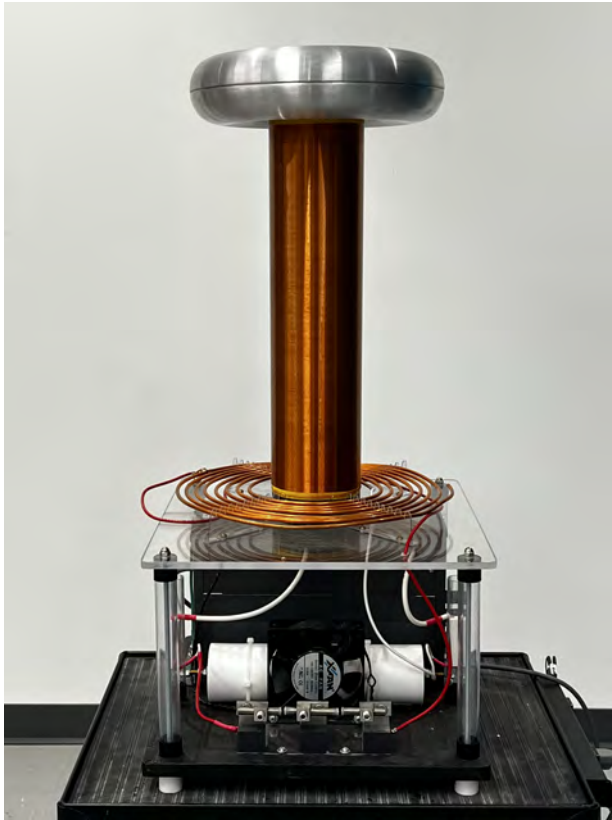


April 18, 2026



Al Tobias, University of Virginia

Big Spark Gap Tesla Coil



April 18, 2026



Al Tobias, University of Virginia

10